

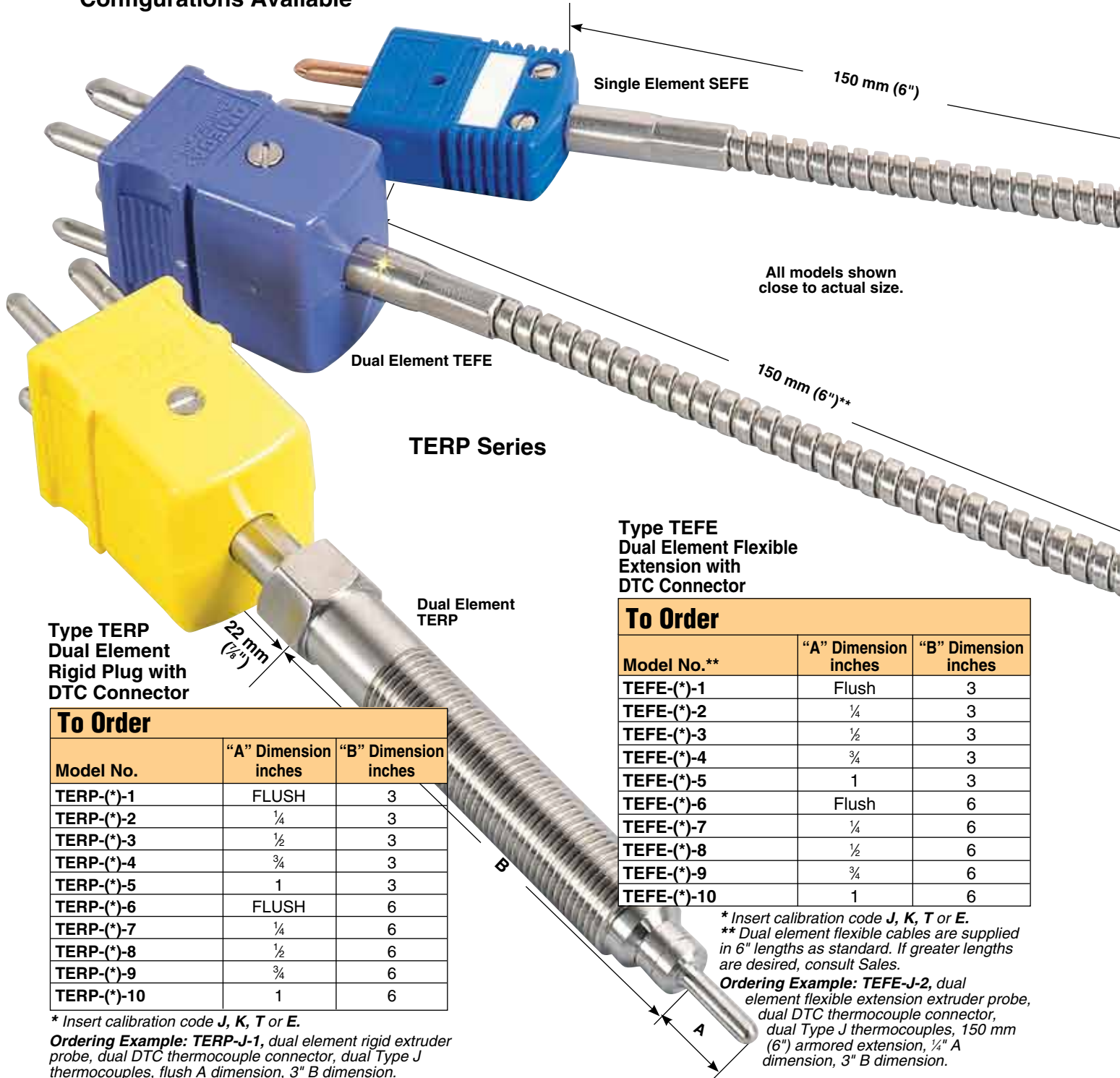
# Thermocouple Probes

## For Plastic Extruders

- ✓ Service Temperatures to 900°F
- ✓ Single or Dual Element Probes with Quick-Disconnect Termination
- ✓ Rigid Plug or Flexible Extension Models
- ✓ 316 Stainless Steel Tips
- ✓ Many "A" and "B" Dimension Configurations Available

OMEGA's Heavy Duty, Plastic Processing Thermocouples mount directly in extruder heads or die adapters of injection molding machines with sensor tip projected directly into the plastic melt.

Immersion lengths, styles and mounting arrangements are available in a wide range of possible configurations. All thermocouples are constructed of Type 316 Stainless Steel.



### TERP Series

### Type TEFE Dual Element Flexible Extension with DTC Connector

To Order		
Model No.**	"A" Dimension inches	"B" Dimension inches
TEFE-(*)-1	Flush	3
TEFE-(*)-2	1/4	3
TEFE-(*)-3	1/2	3
TEFE-(*)-4	3/4	3
TEFE-(*)-5	1	3
TEFE-(*)-6	Flush	6
TEFE-(*)-7	1/4	6
TEFE-(*)-8	1/2	6
TEFE-(*)-9	3/4	6
TEFE-(*)-10	1	6

Type TERP  
Dual Element  
Rigid Plug with  
DTC Connector

To Order		
Model No.	"A" Dimension inches	"B" Dimension inches
TERP-(*)-1	FLUSH	3
TERP-(*)-2	1/4	3
TERP-(*)-3	1/2	3
TERP-(*)-4	3/4	3
TERP-(*)-5	1	3
TERP-(*)-6	FLUSH	6
TERP-(*)-7	1/4	6
TERP-(*)-8	1/2	6
TERP-(*)-9	3/4	6
TERP-(*)-10	1	6

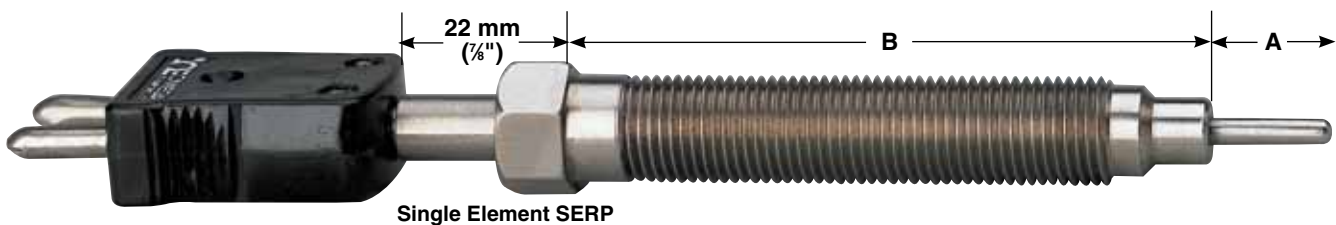
\* Insert calibration code J, K, T or E.

Ordering Example: TERP-J-1, dual element rigid extruder probe, dual DTC thermocouple connector, dual Type J thermocouples, flush A dimension, 3" B dimension.

\* Insert calibration code J, K, T or E.

\*\* Dual element flexible cables are supplied in 6" lengths as standard. If greater lengths are desired, consult Sales.

Ordering Example: TEFE-J-2, dual element flexible extension extruder probe, dual DTC thermocouple connector, dual Type J thermocouples, 150 mm (6") armored extension, 1/4" A dimension, 3" B dimension.



Single Element SERP

**Type SERP  
Single Element Rigid Plug with OST Connector**

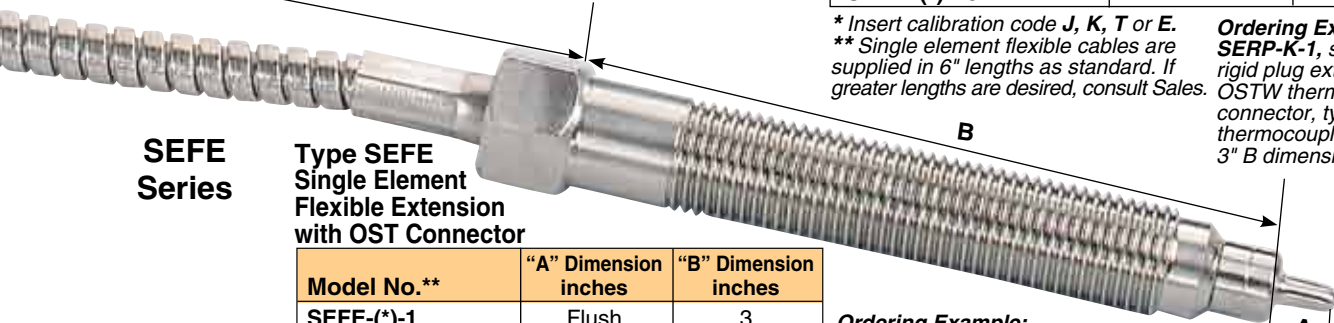
Model No.**	"A" Dimension inches	"B" Dimension inches
SERP-(*)-1	Flush	3
SERP-(*)-2	1/4	3
SERP-(*)-3	1/2	3
SERP-(*)-4	3/4	3
SERP-(*)-5	1	3
SERP-(*)-6	Flush	6
SERP-(*)-7	1/4	6
SERP-(*)-8	1/2	6
SERP-(*)-9	3/4	6
SERP-(*)-10	1	6

**SERP Series**

**Custom Assemblies Available.  
Consult Sales for Information.**

\* Insert calibration code **J, K, T** or **E**.  
\*\* Single element flexible cables are supplied in 6" lengths as standard. If greater lengths are desired, consult Sales.

**Ordering Example:**  
**SERP-K-1**, single element rigid plug extruder probe, OSTW thermocouple connector, type K thermocouple, flush tip, 3" B dimension.



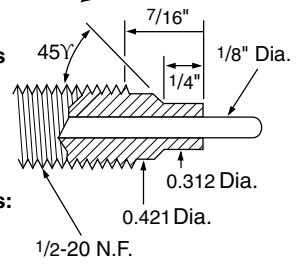
**SEFE Series**

**Type SEFE  
Single Element Flexible Extension with OST Connector**

Model No.**	"A" Dimension inches	"B" Dimension inches
SEFE-(*)-1	Flush	3
SEFE-(*)-2	1/4	3
SEFE-(*)-3	1/2	3
SEFE-(*)-4	3/4	3
SEFE-(*)-5	1	3
SEFE-(*)-6	Flush	6
SEFE-(*)-7	1/4	6
SEFE-(*)-8	1/2	6
SEFE-(*)-9	3/4	6
SEFE-(*)-10	1	6

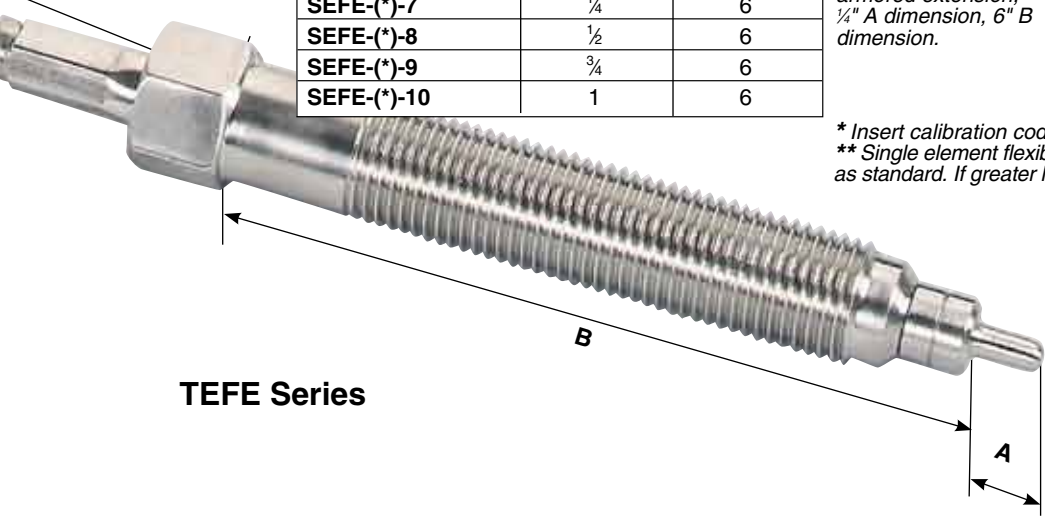
**Ordering Example:**  
**SEFE-J-7**, single element flexible extension extruder probe with an OSTW thermocouple connector, Type J thermocouple, 150 mm (6") armored extension, 1/4" A dimension, 6" B dimension.

**Detailed Dimensions**

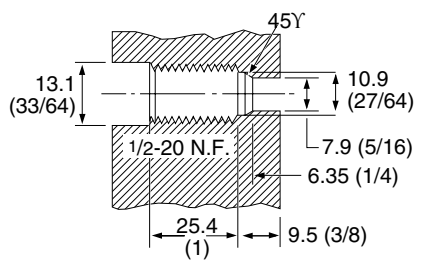


**Dimensions: mm (in)**

\* Insert calibration code **J, K, T** or **E**.  
\*\* Single element flexible cables are supplied in 6" lengths as standard. If greater lengths are desired, consult Sales.



**TEFE Series**



**Recommended drilling dimensions for proper mounting in extruder**

Dimensions: mm (in)

**Example: TERP-K-8** signifies DUAL ELEMENT with RIGID PLUG, plug having an "A" dimension of 13 mm (1/2"), "B" dimension of 150 mm (6"), and Type K, CHROMEGA®-ALOMEGA® thermocouple elements.

Single element, UNGROUNDED probes are available for an additional cost. Dual element UNGROUNDED probes are also available for an additional cost. (Please note that standard probes have GROUNDED junctions.)

**Discount Schedule**

1-10 Units .....	Net
11-24 Units .....	5%
25-100 Units .....	10%
101 Units and up.....	Consult sales